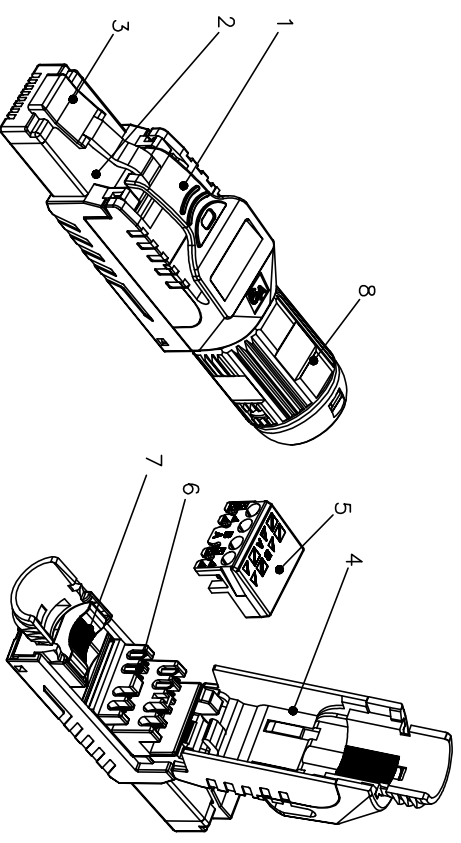


|     |            |              |       |
|-----|------------|--------------|-------|
| REV | DATE       | MODIFICATION | DRAWN |
| A   | 2017/08/21 |              |       |



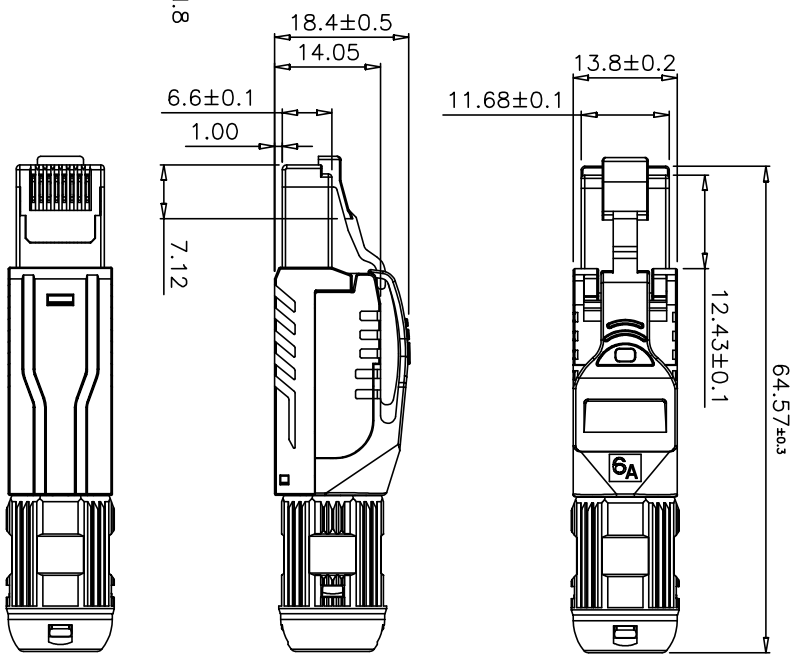
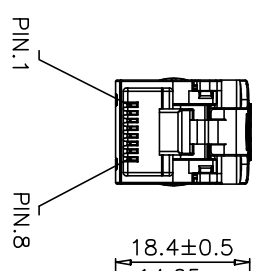
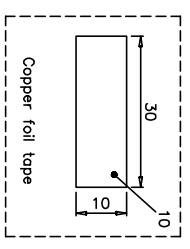
SCALE 1/1

Specification :

- Material :
1. Extractor : PC, UL 94V-2, options color.
  2. Housing : Zinc die-casting with nickel plated.
  3. RJ45 plug :
  - 3-1. Housing : PC, UL 94V-2, black color.
  - 3-2. Contact material : Phosphor bronze with 100 micro-inch nickel plated.
  - 3-3. Contact finish : Min. 50 micro-inch gold plated on surface contact area.
  4. Cover : Zinc die-casting with nickel plated.
  5. Wire management bar : PC, white color, UL 94-V2.
  6. IDC :
  - 6-1. Housing : PC, white color, UL 94-V2.
  - 6-2. Terminal : Titanium copper with tin plated.
  7. Grounding contact : Zinc die-casting with nickel plated.
  8. Boot :
  - 8-1. Housing : Zinc die-casting with nickel plated.
  - 8-2. SR : PC, UL 94V-2, black color.
  - 8-3. GAP : PC, UL 94V-2, black color.
  9. PCB, UL 94-V0.
  10. Copper foil tape.

Performance :

- 1568A & 1568B wiring.
- Insertion force : 30N max. (IEC 60603-7).
- Retention strength : 7.7 kg between jack and plug.
- Operating temperature : -10°C to 60°C. (ISO/IEC 11801, ANSI/TIA 568 C.2).
- Life(cycling cycles) :
  - 750 cycles min. (ISO/IEC 11801, IEC 60603-7).
  - Suitable for 23-26AWG stranded and solid wire, min. 20 installation cycles.
  - Suitable for cable jacket OD : 6.0-7.5mm.



客户用产品图



|   |  |                      |  |                                       |  |
|---|--|----------------------|--|---------------------------------------|--|
| <b>EXW</b> 宁波卓新通讯插件有限公司<br>NINGBO EXCELLENCE COMMUNICATED CONNECTOR CO.,LTD |  | 材料 名称<br>MATERIAL PC |  | 图号<br>DRAWING NO. EXW-FPS-C6A-FS(S03) |  |
| DIMENSION (IN mm (inch))<br>TOLERANCE UNLESS OTHERWISE SPECIFIED            |  | 公差<br>TOLERANCE      |  | 比例<br>SCALE                           |  |
| XX±0.05   |  | XX±0.05              |  | 2/1                                   |  |
| X±0.1   |  | X±0.1                |  | 张数<br>SHEET 1/1                       |  |
| XX°±2°  |  | XX°±2°               |  | 更改<br>REV A                           |  |
| 沈红波   |  | 钟均江                  |  | CathyLi                               |  |

1 2 3 4 5 6 7

ST-DR-009A