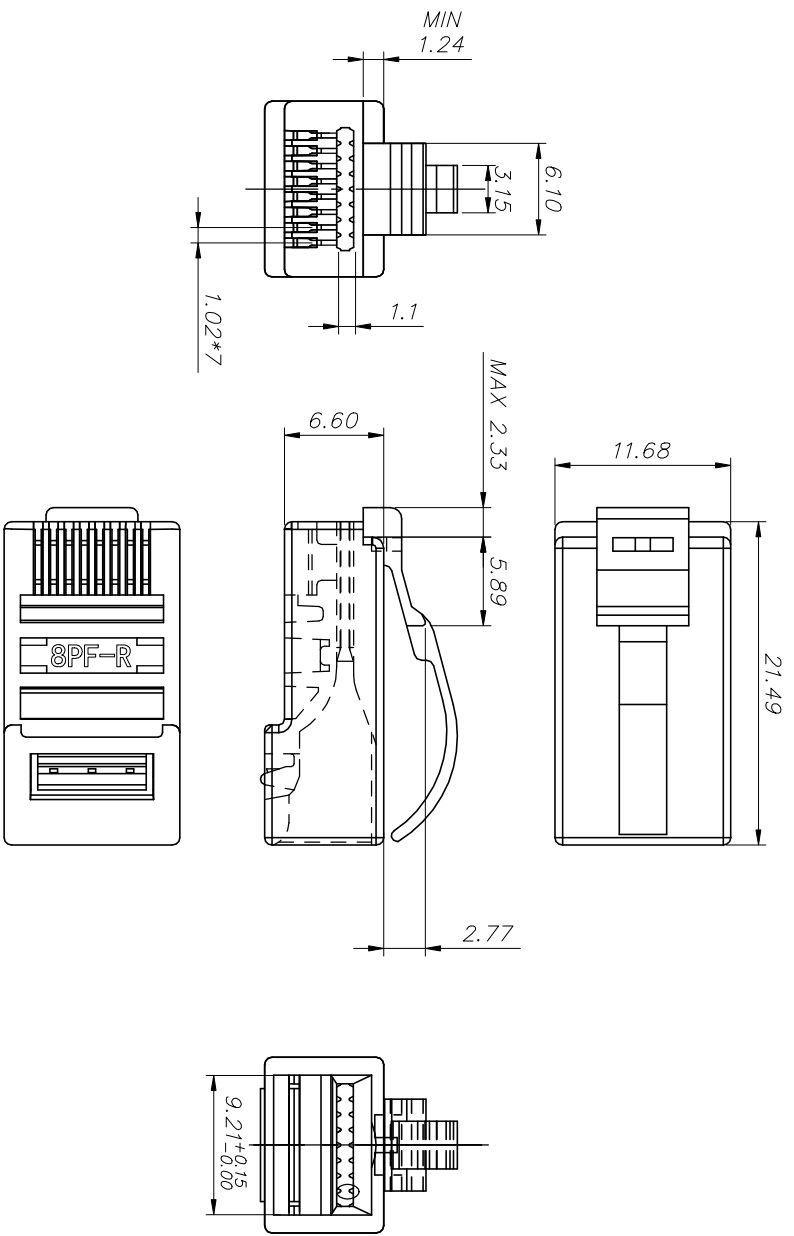


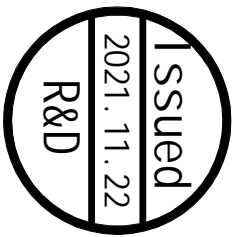
REV	DATE	MODIFICATION	DRAWN
A	2019/01/26		

**SPECIFICATIONS**

- ELECTRICAL:**
  - UL APPLICATIONS: 250 VOLTS AC MAX. AT 2 AMPS.
  - DIELECTRIC WITHSTANDING VOLTAGE : 1000 VOLTS AC, 60 SEC.
  - INSULATION RESISTANCE: 500 MΩ.
  - CONTACT RESISTANCE: 20mΩ MAX.
  - OPERATING AMBIENT TEMPERATURE: -40°C ~ 70°C.
- MECHANICAL:**
  - STRAIN RELIEF: 20POUND MIN.
  - DURABILITY: 1200 MATING CYCLES.
- MATERIAL:**
  - HOUSING: POLYCARBONATE, UL94V-0 OR UL94V-2.
  - COLOR: TRANSPARENT OR OTHER COLOR ARE AVAILABLE.
  - CONTACT BLADE: COPPER ALLOY.
  - GOLD PLATING: 3u"-50u", ARE AVAILABLE.
- USAGE:**
  - SUITABLE FOR STRANDED & SOLID WIRE 23AWG ~ 26 AWG.
  - (It can be used for the wire OD from Ø 0.93 ~ Ø1.04)



BLADE:	E	EB	Y	YB	Z	A	AE	AB
Drawing								
Mark					✓			
GOLD PLATING	3Mu"	3u"	6u"	15u"	30u"	50u"	CABLE TYPE	FLAT
Mark						✓	Mark	✓



<b>EXW</b>		NINGBO EXCELLENCE COMMUNICATED CONNECTOR CO.,LTD	
DIMENSION IN mm (Inch)		MATERIAL	
TOLERANCE UNLESS OTHERWISE SPECIFIED		PC	
.X±0.20	.X±.5°	DWG NO. P88F250V2-R	
.XX±0.10	.XX±.2°	TITLE PLUG-477-0001	
审核 APPROVAL	核对 CHECKED	DRAWN	SCALE
<b>Carine</b>	<b>Zach</b>	<b>Zach</b>	2/1
		PROL.	SHEET
			1/1
			REV
			A